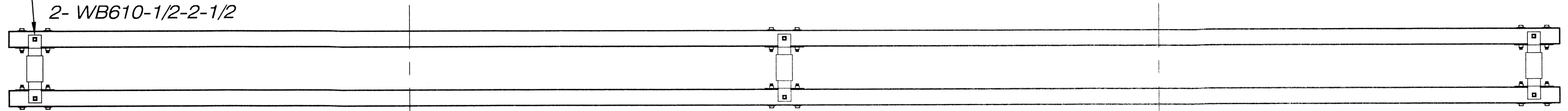
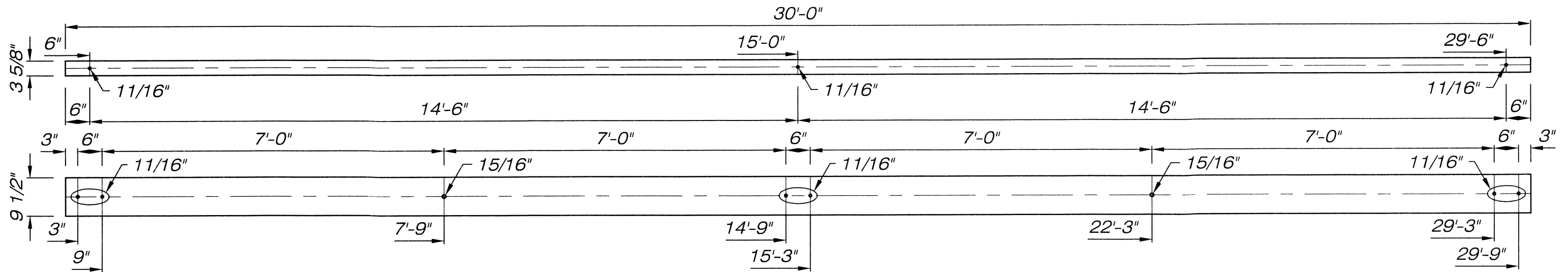


3414.6EN-100 Adjustable Spacer Fitting  
 4- WB65-1-3/4  
 2- WB610-1/2-2-1/2



B2290.17A Assembled Arm



B2290.17A-1 Side Arm

Replacement Arm for 032300

Type "A" Assembled Arms For  
H-Frame Tangent Structure  
Public Service Co. of Oklahoma  
Tulsa, Oklahoma

**CONFIDENTIAL**  
 This document includes information that is proprietary to Hughes Brothers, Inc., and shall not be disclosed or used except as expressly authorized.

Revision	1-4-1989	2-1-2010
----------	----------	----------



Drawn *RPLV* **LW**  
 Date © 1978 HBI

Date Printed  
**B2290.17**